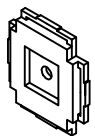
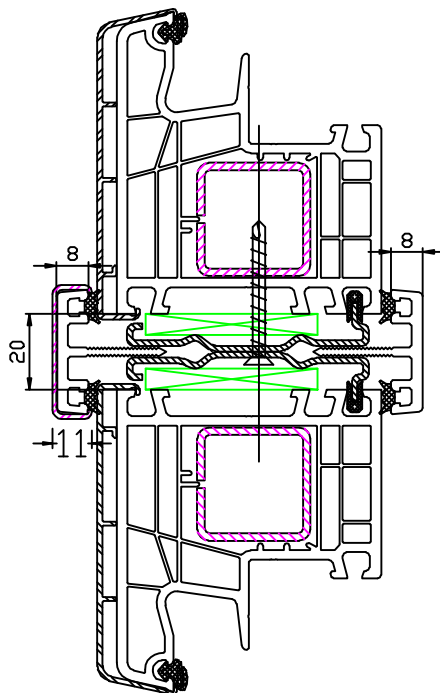
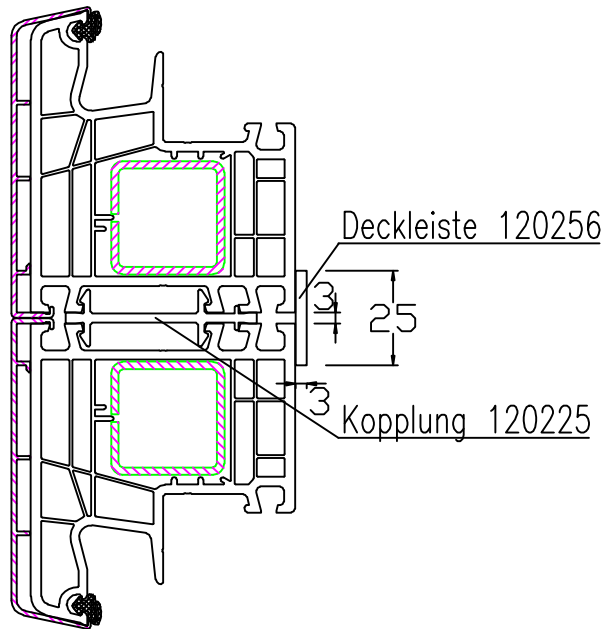
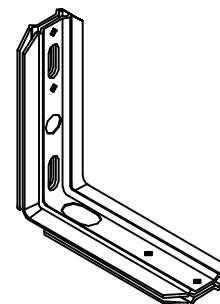


Kopplungen Twin-Set 5000



690 910
DEHNPLATTE

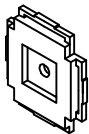
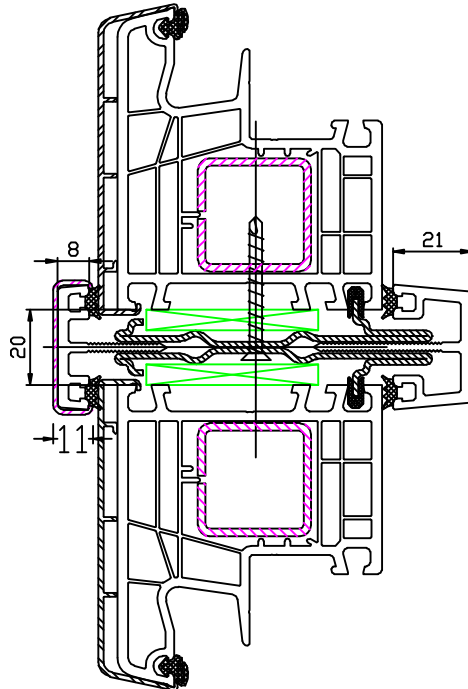
690 969



Statikkopplung 299 957
 $I_x = 11\text{cm}^4$
Abdeckung außen 690 766
+Aluschale
Abdeckung innen 690 766

Kopplungen Twin-Set 5000

Statik



690 910
DEHNPLATTE

Statikkopplung 299 959

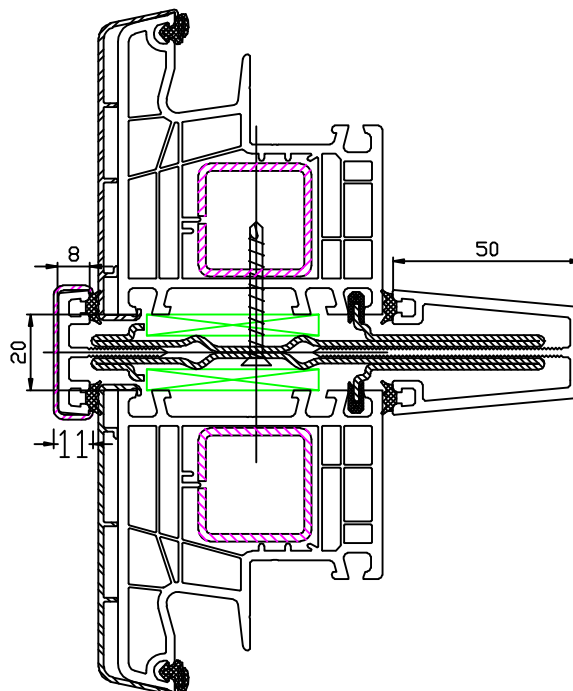
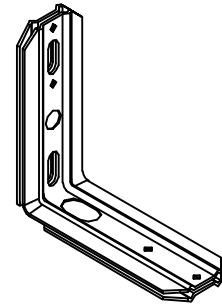
$I_x = 25\text{cm}^4$

Abdeckung außen 690 766

+Aluschale

Abdeckung innen 690 764

690 969



Statikkopplung 299 961

$I_x = 76\text{cm}^4$

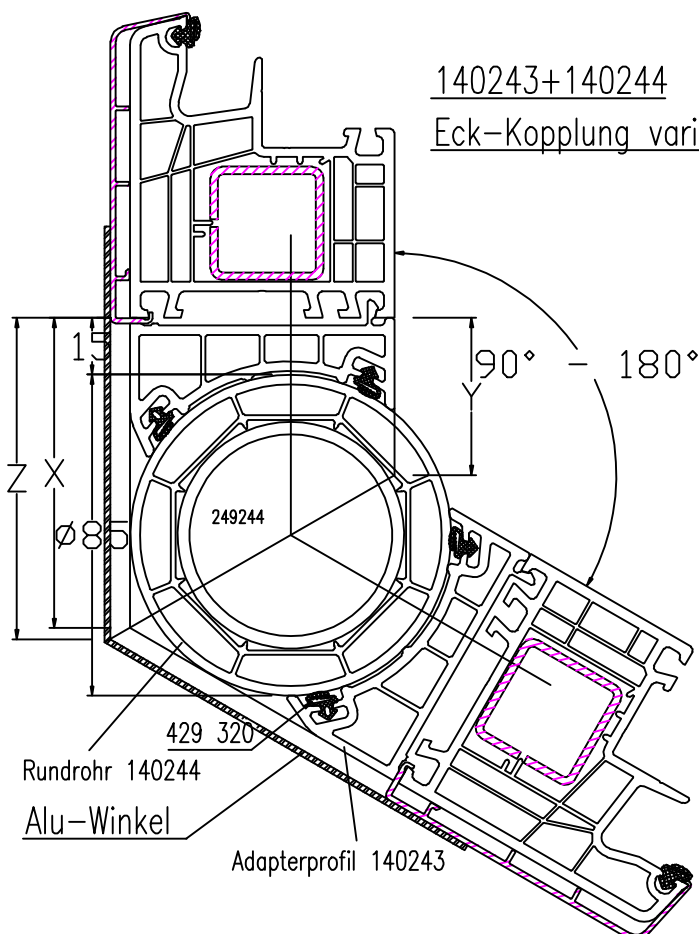
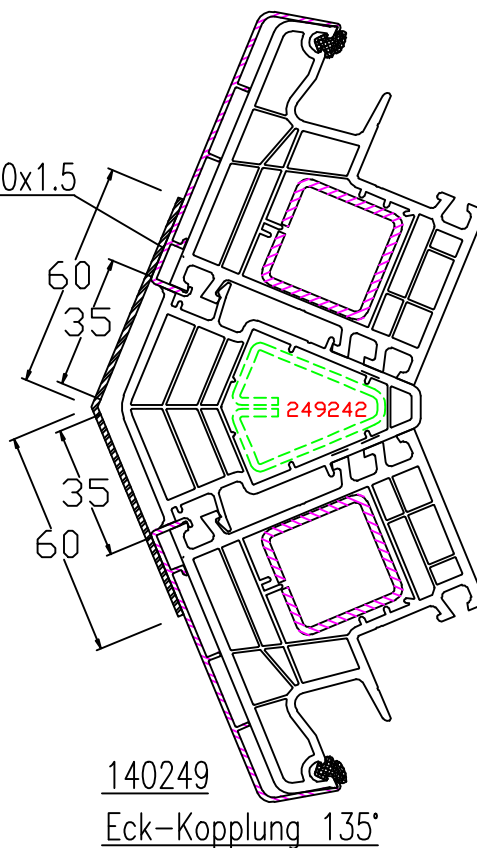
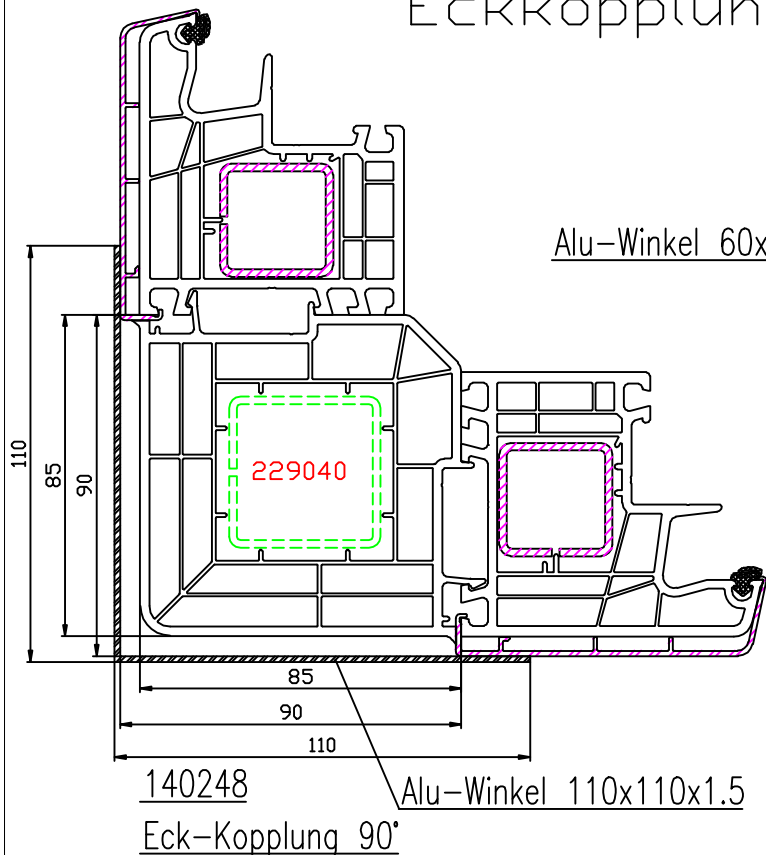
Abdeckung außen 690 766

+Aluschale

Abdeckung innen 690 765

Kopplungen Twin-Set 5000

Eckkopplungen



$\beta(^{\circ})$	X(mm)	Y(mm)	Z(mm)
90°	100.0	30.0	105.2
95°	96.4	32.3	101.2
100°	93.2	34.4	97.5
105°	90.1	36.4	94.1
110°	87.3	38.2	90.9
115°	84.6	40.0	87.9
120°	82.0	41.6	85.0
125°	79.6	43.2	82.3
130°	77.3	44.7	79.7
135°	75.1	46.1	77.3
140°	73.0	47.5	74.9
145°	70.9	48.8	72.5
150°	68.9	50.1	70.3
155°	66.9	51.4	68.1
160°	65.0	52.7	65.9
165°	63.1	53.9	63.8
170°	61.2	55.1	61.7
175°	59.4	56.3	59.6
180°	57.5	57.5	57.5